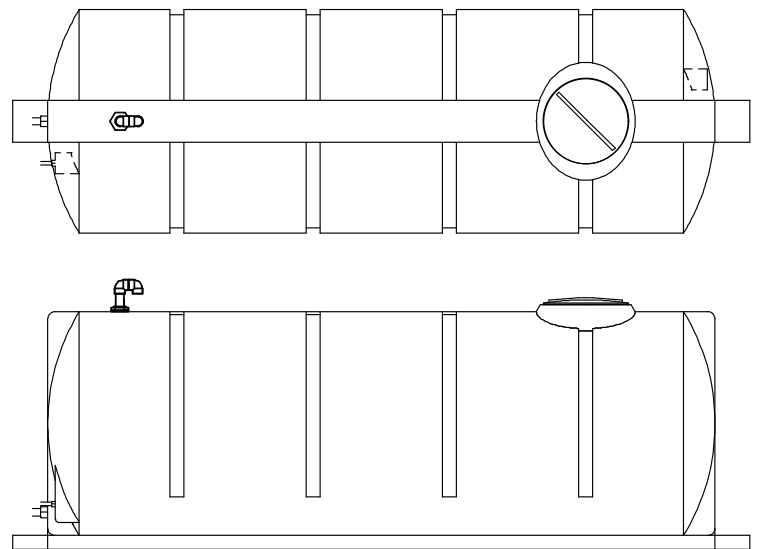


Specifications

AUTObulk[®]2500H

- 2,500-gallon, Cross-linked Polyethylene, Heavy-duty Tank
- Specific Gravity: 1.9
- Overall Diameter: 64 Inches
- Overall Length: 191 Inches
- Two-inch PVC Vent
- One-inch PVC Discharge Piping
- Two-inch PVC Bottom Fill
- 21-inch Manway
- Base Formed with 10 GA. "C" Channel



Version: 20015A