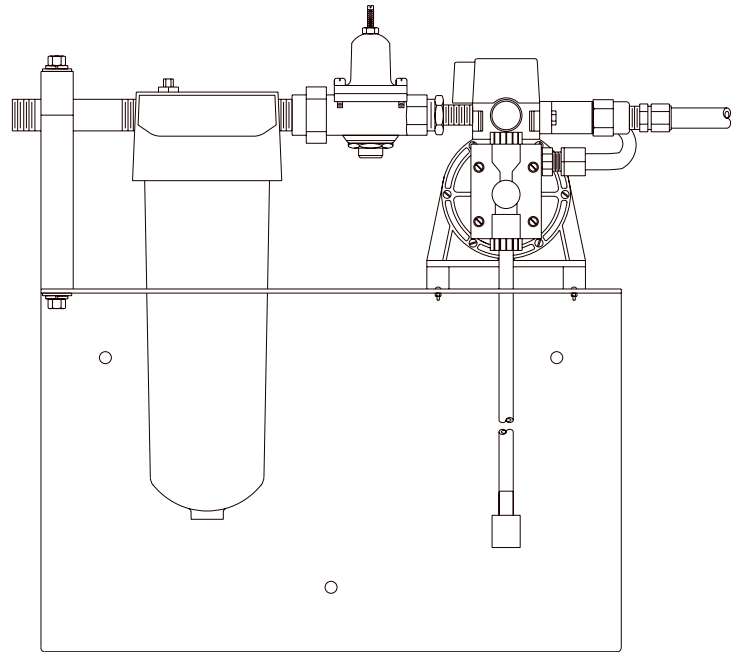


Specifications

AUTOdilute[®]CS

- Heavy-duty, Stainless Steel Mounting Base
- Proportioning/Metering Pump
- Minimum Flow Rate: 1.0 gph
- Maximum Flow Rate: 7.0 gpm
- 3/4" In-line Filter
- 3/4" Heavy-duty Pressure Regulator
- Flexible Suction Hose Assembly
- Suction Foot Strainer



Version: 20058A