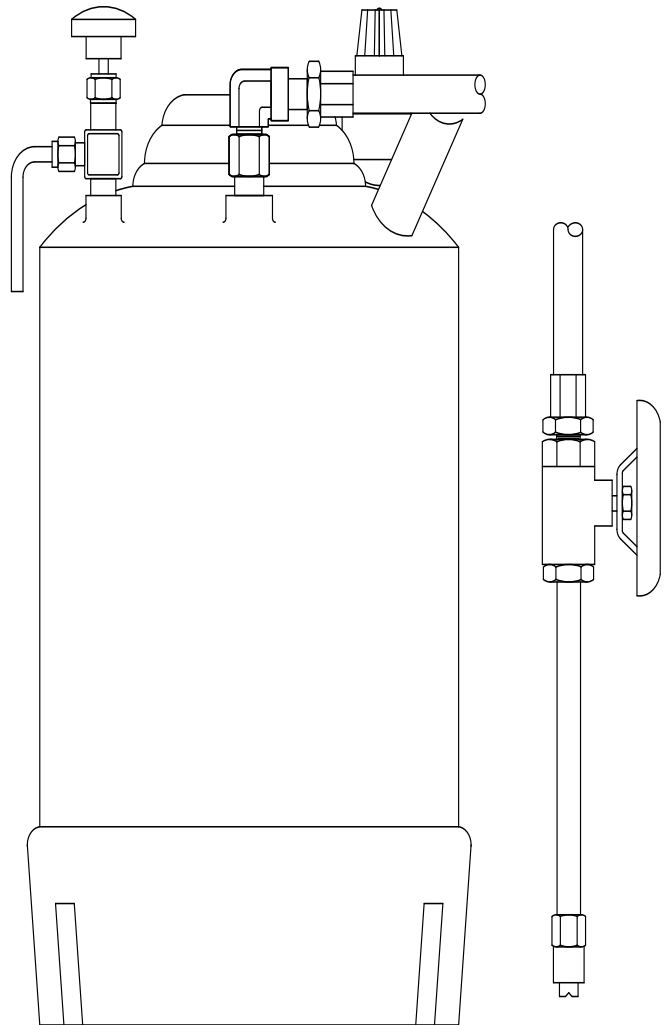


Specifications

AUTOflood®3

- Stainless Steel, Pressure Tank Sprayer
- Three-gallon, 316 Stainless Steel, ASME Tank
- ASME, Stainless Steel Pressure Relief Valve
- Stainless Steel Bleed-off Valve
- Pressure Regulator and Gauge
- Heavy-duty, 3/8 Inch x 4 Foot Hose Assembly
- Heavy-duty, Stainless Steel, Ball Valve, Wand and Nozzle
- Maximum Operating Pressure: 140 psig
- Maximum Temperature: 200°F



Version: 20105A