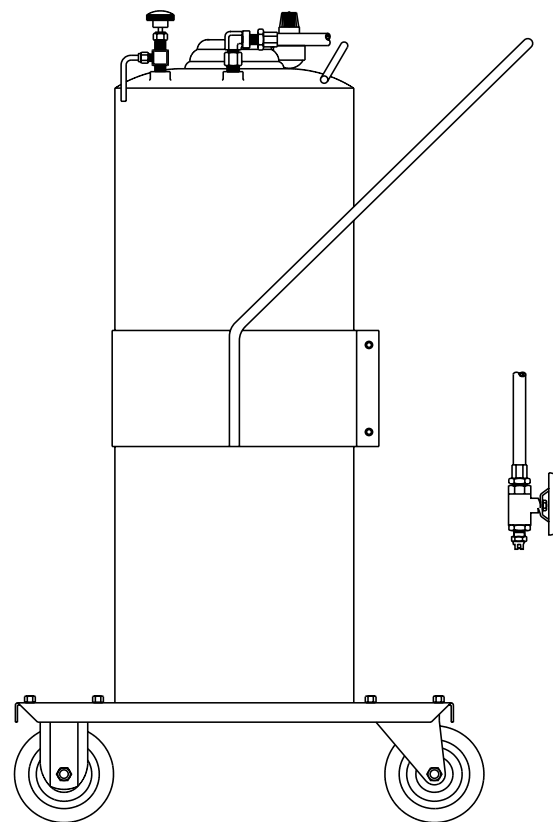


# Specifications

## AUTOflood® 15

- Stainless Steel, Pressure Tank Sprayer
- 15-gallon, 316 Stainless Steel, ASME Tank
- Heavy-duty, 11-gauge Stainless Steel Base
- Solid, 1/2 Inch, Stainless Steel, Adjustable Handle
- Two Fixed and Two Swivel, Heavy-duty, Casters
- ASME, Stainless Steel, Pressure Relief Valve
- Stainless Steel Bleed-off Valve
- Pressure Regulator and Gauge
- Heavy-duty, 3/8 Inch x 50 Foot Hose Assembly
- Heavy-duty, Stainless Steel, Ball Valve, Wand and Nozzle
- Maximum Operating Pressure: 130 psig
- Maximum Temperature: 150°F



Version: 20101D