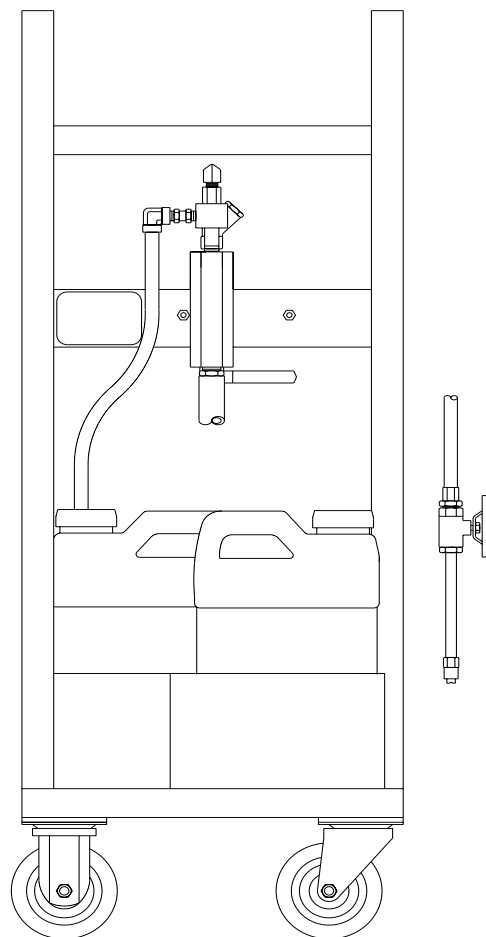


Specifications

AUTOflood[®]70

- Portable, Siphon Injection Sanitizer
- Heavy-duty, 11/2" x 11/2" Stainless Steel, Tubing Frame
- Heavy-duty Strainer
- Stainless Steel Injector
- Wide Variety of Metering Orifices
- Stainless Steel Chamber
- Stainless Steel Check Valve
- Stainless Steel Nipples
- Heavy-duty, Stainless Steel, Ball Valve
- Heavy-duty, 3/8" x 50' Hose Assembly
- Stainless Steel Nozzle Assembly
- Two Fixed and Two Swivel, Heavy-duty Casters



Version: 20103B