

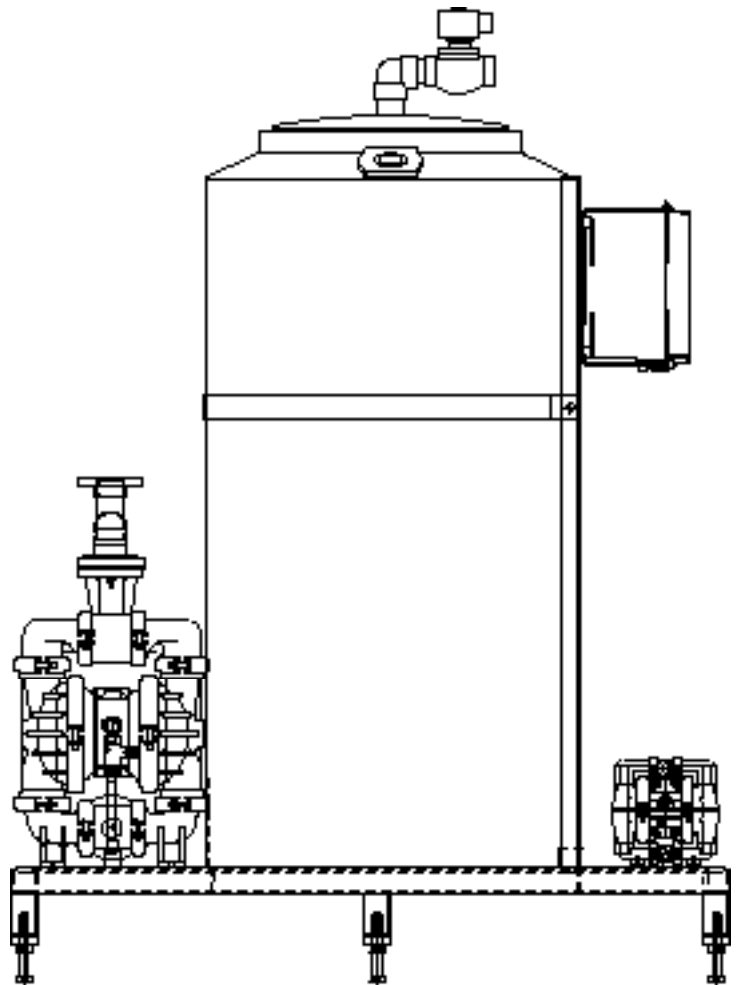
Specifications

AUTOfoam®150

- Automatic Central Foam System
- 150-gallon, 1.9 Specific Gravity, Cross-linked Polyethylene Dilution Tank
- Stainless Steel Pump Base
- Automatically & Accurately Maintains a Given Chemical Concentration in the Dilution Tank
- Two, Air Diaphragm Discharge Pumps
- One, Air Diaphragm Chemical Supply Pump
- 0 to 60 Foam Stations Operate
- Simultaneously
- High-volume and Low-volume Limits
- Use in Conjunction with AUTOfoam®60 Stations, AUTOfoam/flood®60 Stations, and AUTOfoam®Trifoam60
- 1 1/2-inch Cold Water Makeup
- Two-inch Discharge/Distribution Line

Utilities

- 136 scfm at 120 psig
- Cold Water Supply - 1 1/2" at 100 psig Maximum
- Electrical Supply – 5 AMP Maximum at 120VAC



Version: 20206A