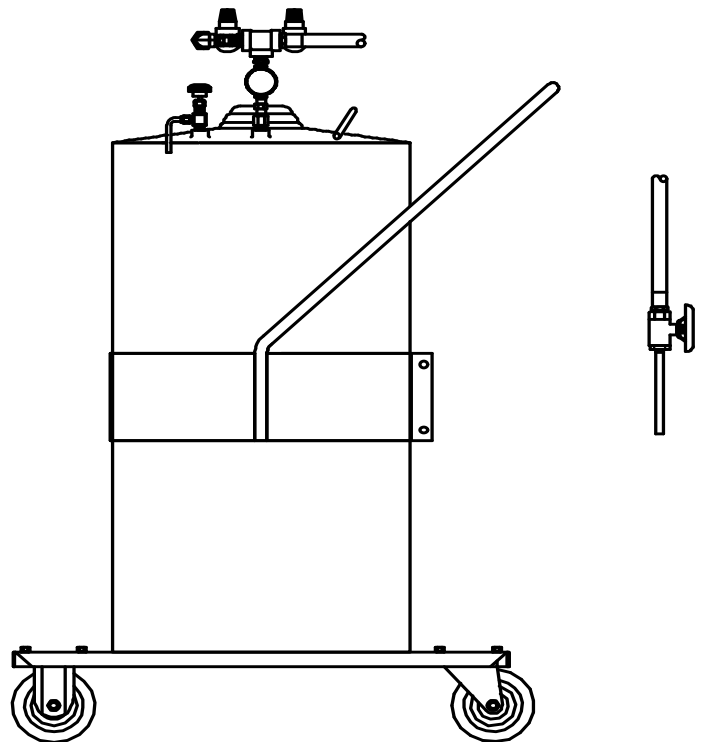


Specifications

AUTOfoam[®]35

- Portable Tank Foamer
- 35-gallon, 316 Stainless Steel, ASME, Tank
- Heavy-duty, 11-gauge Stainless Steel Base
- Solid, 1/2" Stainless Steel Adjustable Handle
- Two Fixed and Two Swivel, Heavy-duty Casters
- ASME, Stainless Steel, Pressure Relief Valve
- Two Pressure Regulators and Gauges
- Stainless Steel Bleed-off Valve
- Heavy-duty, 1/2" x 50' Hose Assembly
- Heavy-duty, Stainless Steel, Ball Valve and Nozzle Assembly
- Maximum Operating Pressure: 130 psig
- Maximum Temperature: 100°F



Version: 20215A