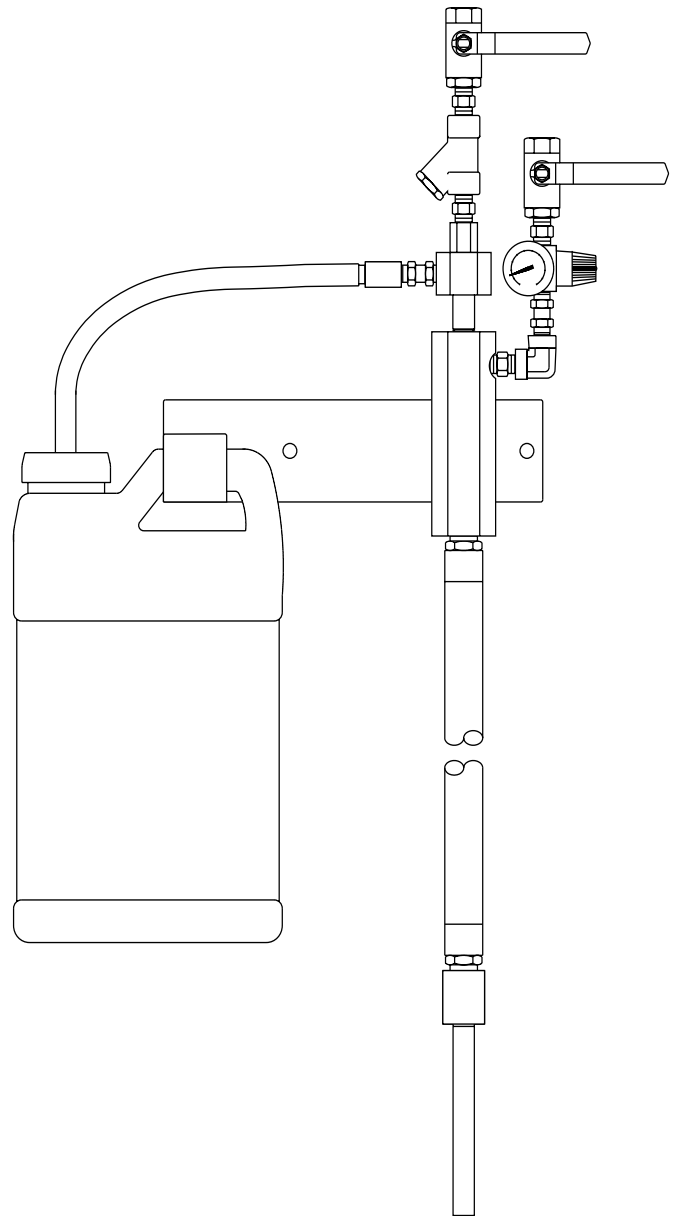


Specifications

AUTOfoam[®]50

- Siphon Injection Wall Foamer
- Fabricated, Stainless Steel, Mounting Bracket
- Heavy-duty Strainer
- Stainless Steel Injector
- Wide Variety of Metering Orifices
- Stainless Steel Foam Chamber
- Stainless Steel Check Valves
- Stainless Steel Nipples
- Heavy-duty Ball Valves
- Stainless Steel Air Regulator
- Heavy-duty, 1/2 Inch x 50 Foot Hose Assembly
- Stainless Steel Nozzle Assembly
- Utilities:
 - Air Flow: 54 scfm Maximum
 - Air Supply: 100 psig Maximum
 - Water: 100 psig to 1,000 psig



Version: 20204H