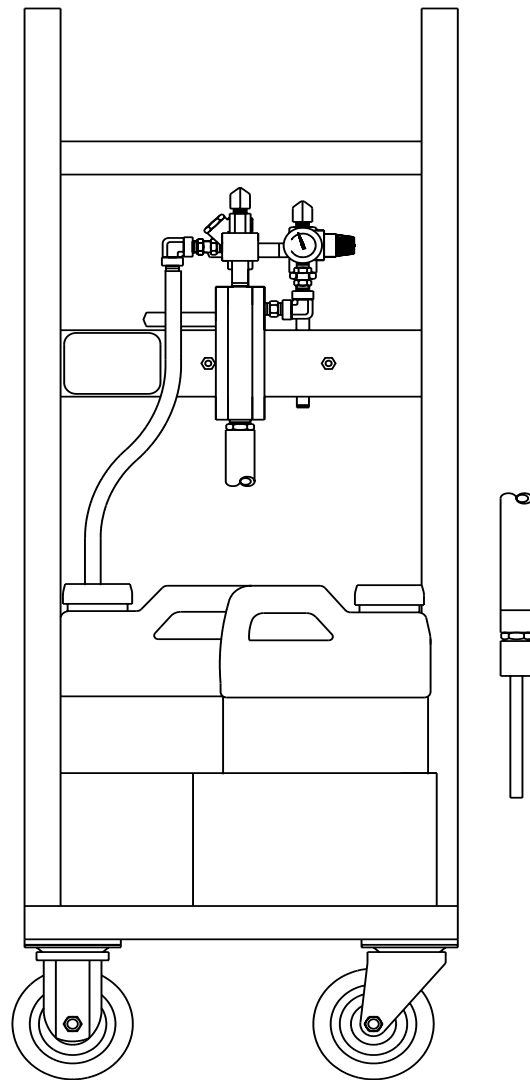


Specifications

AUTOfoam[®]70

- Portable, Siphon Injection Foamer
- Heavy-duty, 1 1/2" x 1 1/2" Stainless Steel, Tubing Frame
- Heavy-duty Strainer
- Stainless Steel Injector
- Wide Variety of Metering Orifices
- Stainless Steel Foam Chamber
- Stainless Steel Check Valves
- Stainless Steel Nipples
- Heavy-duty Ball Valves
- Heavy-duty, 1/2" x 50' Hose Assembly
- Stainless Steel Nozzle Assembly
- Two Fixed and Two Swivel, Heavy-duty Casters



Version: 20209A