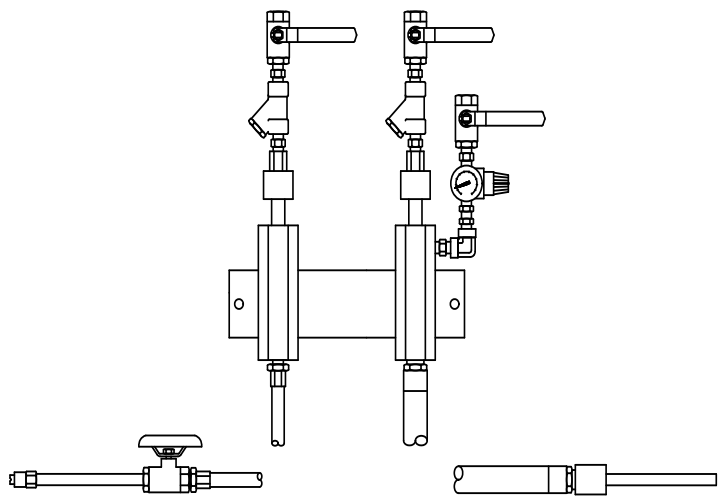


# Specifications

## AUTOfoam/flood®60

- Combination, Wall-mounted Sanitizer and Foamer Designed to be Used with an AUTOdilute®CS and an AUTOfoam®150 Central Foam System
- Fabricated, Stainless Steel, Mounting Bracket
- Stainless Steel Liquid-filled Gauge
- Stainless Steel Injectors, Flood and Foam Chambers
- Stainless Steel Check Valves & Nipples
- Heavy-duty, Ball Valves & Strainers
- Heavy-duty, 3/8" x 50' Flood Hose Assembly
- Heavy-duty, 1/2" x 50' Foam Hose Assembly
- Stainless Steel Nozzle Assemblies



Version: 20107A