

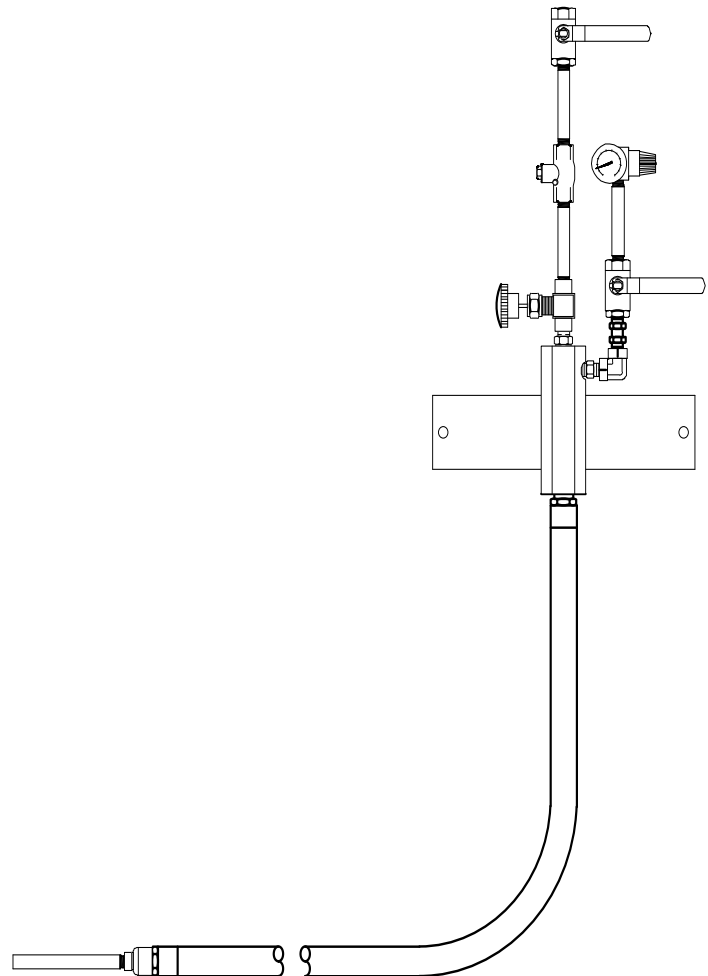
# Specifications

## AUTOfoam<sup>®</sup>60

- Stainless Steel Metering Valve
- Fabricated, Stainless Steel, Mounting Bracket
- Stainless Steel Foam Chamber
- Stainless Steel Check Valves
- Stainless Steel Nipples
- Heavy-duty Ball Valves
- Heavy-duty, 1/2 Inch x 50 Foot Hose Assembly
- Stainless Steel Nozzle Assembly

### Utilities

- Air Flow: 54 scfm Maximum
- Air Supply: 100 psig Maximum
- Water: up to 1,000 psig



Version: 20205A