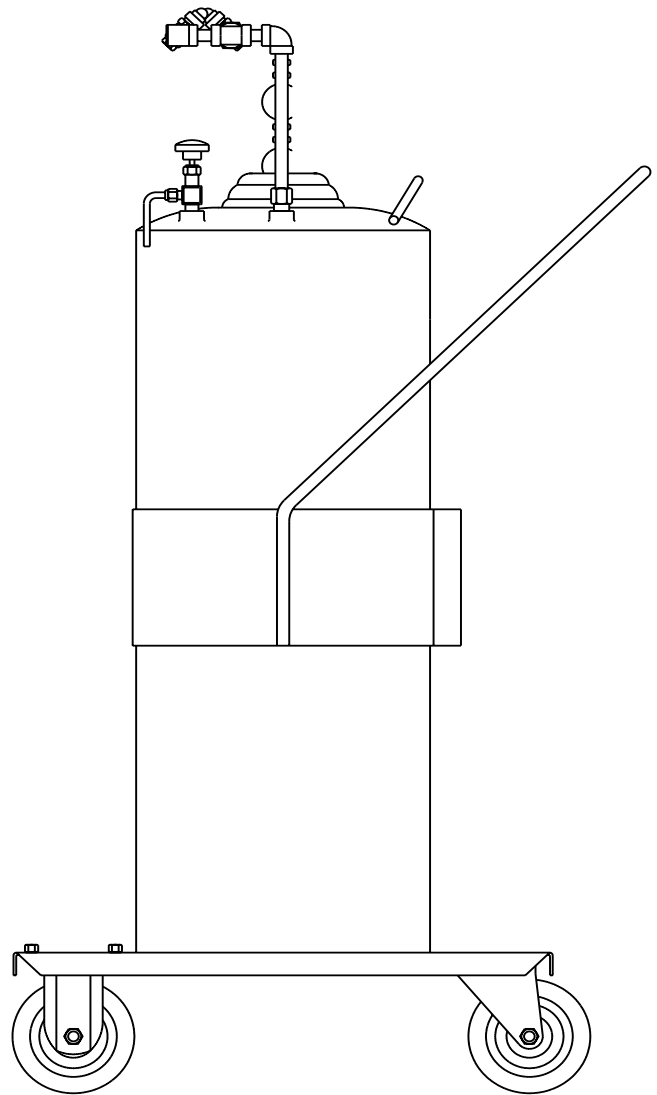


Specifications

AUTOfog[®]16

- Tank Atomizer
- 16-gallon, 316L Stainless Steel, ASME Tank
- Heavy-duty, 11-gauge Stainless Steel Base
- Solid, 1/2-inch Stainless Steel, Adjustable Handle
- Two Fixed and Two Swivel, Heavy-duty, 316L Stainless Steel Casters
- Two Stainless Steel Atomizing Nozzles
- ASME Stainless Steel Pressure Relief Valve
- Stainless Steel Bleed-off Valve
- Pressure Regulator and Gauge
- Maximum Operating Pressure: 130 psig
- Maximum Temperature: 150°F



Version: 20280A