

Specifications

AUTOsense®

Options: Bulk Tank Level Sensing

- Level Display Panel (Part #05749)
- Ultrasonic Level Sensor (Part #05748B)

Options: Day Tank Level Sensing

- Level Display Panel (Part #05749)
- Ultrasonic Level Sensor (Part # 05748A)

Options: Bulk Tank Remote Level Sensing with Level Display Panel

- Level Display Panel (Part #05749)
- Ultrasonic Level Sensor (Part #05748B)
- Remote Monitoring System (Part #05028)

Options: Bulk Tank Remote Level Sensing

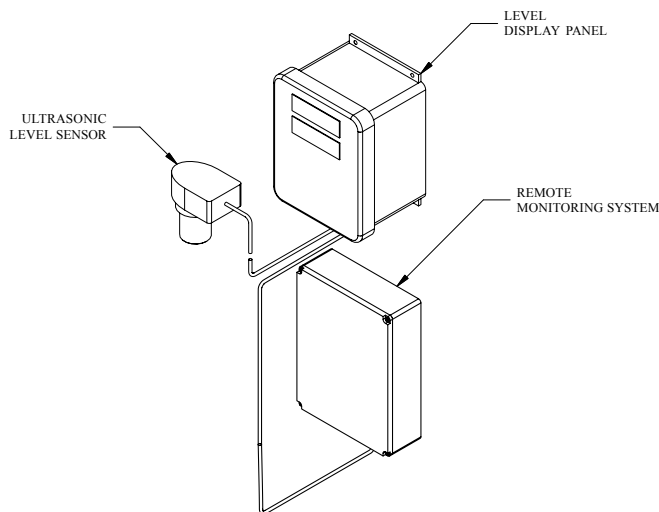
- Ultrasonic Level Sensor (Part #05748B)
- Remote Monitoring System (Part #05028)

Options: Leak Detection

- Optic Leak Detector

Ultrasonic Level Sensor:

- Range: 4" to 18' for Bulk Tank
- Range: 4" to 9' for Day Tank
- Accuracy: +/- 0.2% of Range
- Display Units: Inch, CM, Feet, M or Percent
- Signal Output: 4-20mA, Two-wire
- Signal Invert: 4-20mA / 20-4mA
- Process Temperature: -4° to 140°F
- Temperature Compensation: Automatic
- Ambient temperature: -31° to 140°F
- Enclosure Rating: NEMA 4X (IP 65)
- Conduit Entrance: Dual, ½" NPT
- Process Mount: 2" NPT
- Mount Gasket: Viton



Version:

- Supply Voltage: 12-28 VDC
- Loop Resistance: 500 Ohms @24 VDC

Level Display Panel:

- Large touch screen display - 3 Tank Display
- Six control outputs relays
 - Complete flexibility of each relay
 - On/Off Set point
 - Time proportional control
 - In range or out of range activation
 - Timer based activation
 - Alarm
 - Spike set point
- Onscreen graphing of sensor values
- Data logging
- Email alarm messages, data logging reports or system summary reports
- Ethernet option for remote access via internet or LAN
- Electrical Input: 100-240 VAC, 7A Maximum
- Output Relays: All relays fused together as one group, total current must not exceed 6A
- Enclosure rating: NEMA 4X (IP 65)

Remote Monitoring System:

- Enclosure Rating: NEMA 4X (IP 65)
- Ambient Temperature: 32° to 140°F
- Range: 3.75-20.25mA
- Calibration: ±1 mA
- Electrical: 100-240VAC, 1.0A, 50/60 Hz
- Fuse: 1.0A 5 x 20mm
- Analog Inputs (1-6): 4-20mA, 2-wire or 3 wire
- Internally powered by 24VDC, 110 ohm input
- Resistance, 1000 ohm maximum load

Version: