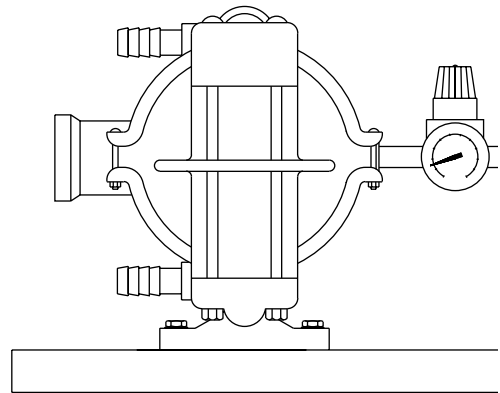


Specifications

AUTOtransfer[®]F1

- Heavy-duty, 12-gauge Stainless Steel Floor-mounted Base
- 0 to 14 gpm, Self-Lubricating Diaphragm Pump
- Heavy-duty, Suction Assembly
- Air Supply Regulator w/ Isolation Ball Valve



Version: 20500D