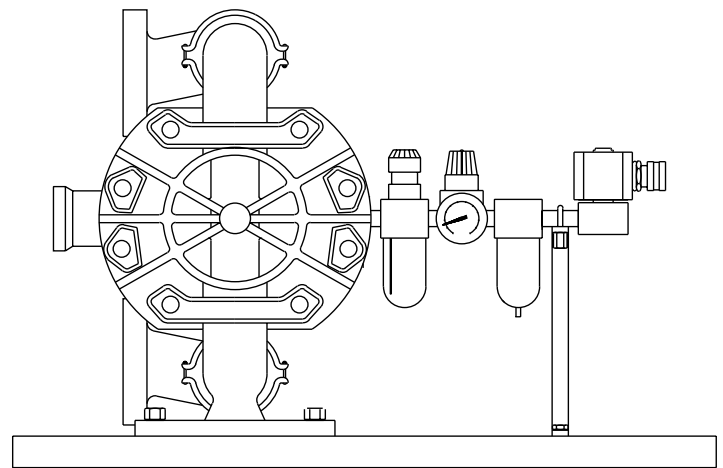


Specifications

AUTOtransfer[®]F2

- Floor-mounted, Air-driven, Chemical Pump
- Heavy-duty, 12-gauge Stainless Steel Floor-mounted Base
- 0 to 30 gpm Diaphragm Pump
- Heavy-duty, Suction Assembly
- Solenoid Actuated Air Supply



Version: 20501D