

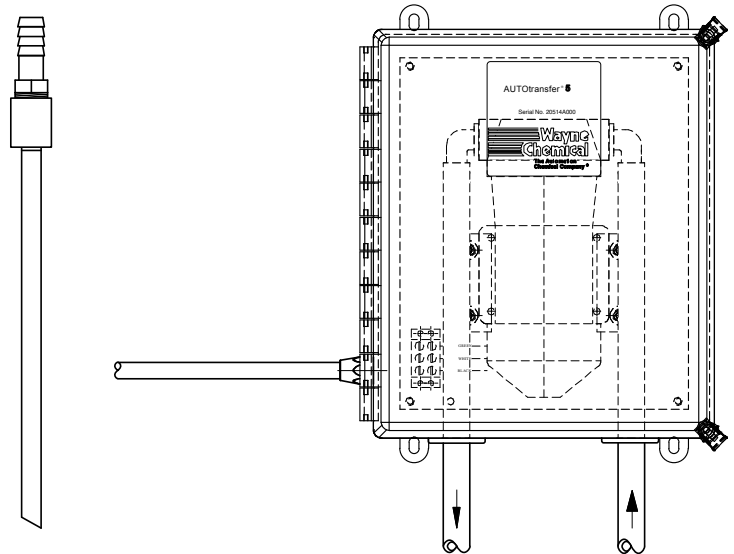
Specifications

AUTOtransfer[®]5

- Operates in Conjunction with AUTOtransfer[®]DS Controller
- Delivers Pre-determined Chemicals, Chemical Mixtures and/or Dilutions
- One, 5-gallon Per Minute Pump

Utilities Required:

- Pumps: 1.5 AMPS Maximum @ 120 VAC



Version: 20514A